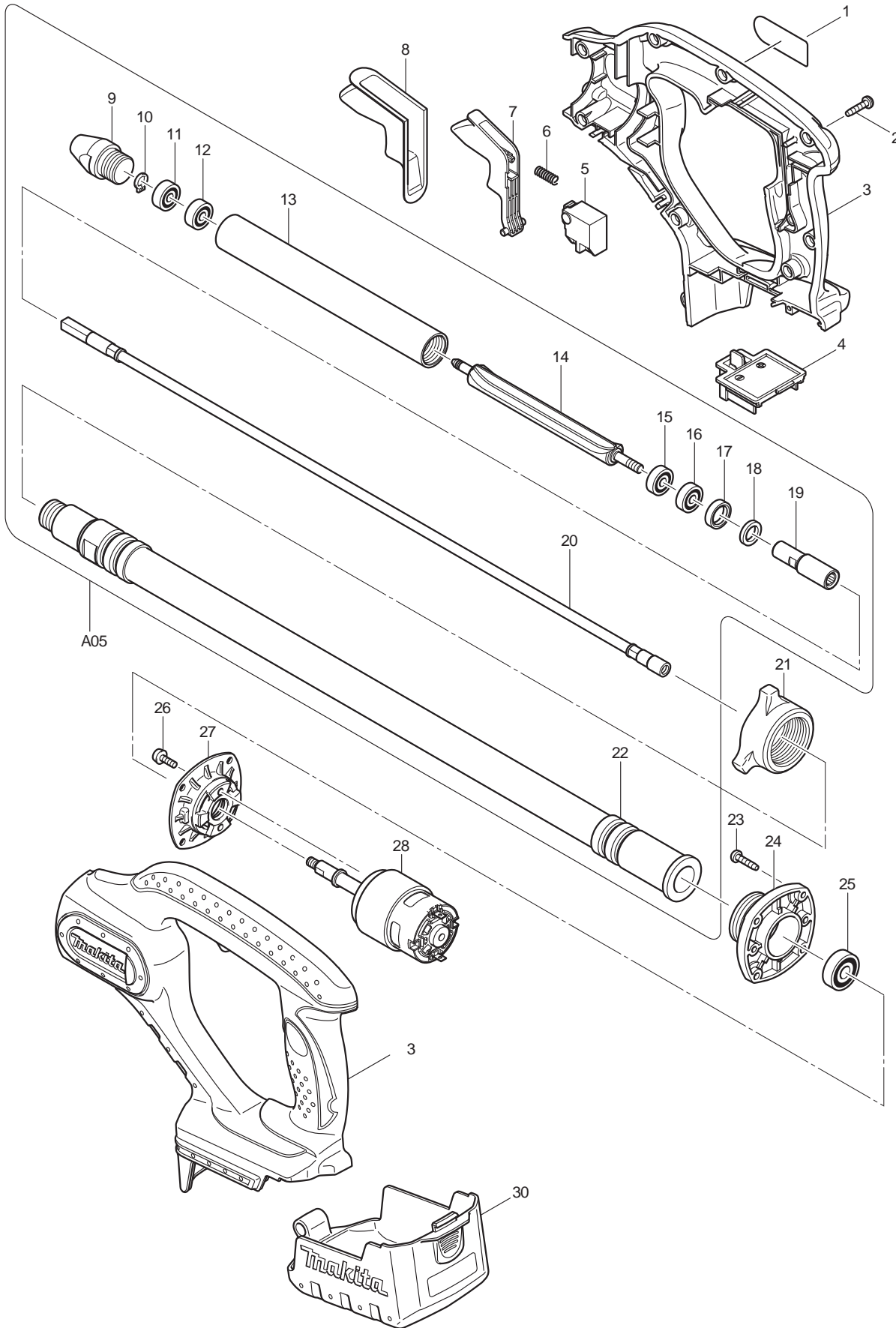




05 - 2014
DVR350F, DVR350RFE, DVR350Z
18V CONCRETE VIBRATOR (2.6 FT)



| Item No | Type | Ref | Part No | Description | Qty | Unit |
|---------|------|------|----------|----------------------------------|-----|------|
| 001 | | | 850D42-6 | NAME PLATE F/DVR350 | 1 | PC. |
| 002 | | | 266045-0 | TAPPING SCREW 4X20 | 9 | PC. |
| | | INC. | 802J50-9 | CAUTION LABEL (W/NO BATTERY NO.) | 1 | PC. |
| 003 | | | 187974-3 | HOUSING SET | 1 | SET |
| 004 | | | 643843-3 | TERMINAL | 1 | PC. |
| 005 | | | 650580-2 | SWITCH SGE120C-4 | 1 | PC. |
| 006 | | | 231298-0 | COMPRESSION SPRING 6 | 1 | PC. |
| 007 | | | 419511-8 | SWITCH LEVER | 1 | PC. |
| 008 | | | 421961-5 | WATERPROOF COVER | 1 | PC. |
| 009 | | | 322935-8 | CAP | 1 | PC. |
| 010 | | | 961002-0 | RETAINING RING S-6 | 1 | PC. |
| 011 | | | 210018-5 | BALL BEARING 626 | 1 | PC. |
| 012 | | | 210018-5 | BALL BEARING 626 | 1 | PC. |
| 013 | | | 331503-6 | PIPE 25 | 1 | PC. |
| 014 | | | 322934-0 | UNBALANCER | 1 | PC. |
| 015 | | | 211016-2 | BALL BEARING 626LLB | 1 | PC. |
| 016 | | | 211016-2 | BALL BEARING 626LLB | 1 | PC. |
| 017 | | | 421578-4 | RUBBER RING | 1 | PC. |
| 018 | | | 443101-5 | FELT RING | 1 | PC. |
| 019 | | | 326203-1 | JOINT | 1 | PC. |
| 020 | | | 163533-7 | FLEXIBLE WIRE | 1 | PC. |
| 021 | | | 416244-6 | NUT 36 | 1 | PC. |
| 022 | | | 163536-1 | FLEXIBLE HOSE | 1 | PC. |
| 023 | | | 266045-0 | TAPPING SCREW 4X20 | 4 | PC. |
| 024 | | | 316893-8 | BEARING BOX | 1 | PC. |
| 025 | | | 211056-0 | BALL BEARING 629LLB | 1 | PC. |
| 026 | | | 911118-1 | PAN HEAD SCREW M4X12 | 2 | PC. |
| 027 | | | 318038-4 | SUPPORTER | 1 | PC. |
| 028 | | | 629836-4 | DC MOTOR | 1 | PC. |
| | | INC. | 810195-9 | CAUTION LABEL | 1 | PC. |
| 030 | | | 154948-9 | COVER COMPLETE | 1 | PC. |
| C01 | | | 848001-8 | CARTON | 1 | PC. |
| D01 | | | 652008-6 | PAN HEAD SCREW M3.5X7 | 2 | PC. |
| D02 | | | 654086-2 | RECEPTACLE | 2 | PC. |
| D03 | | | 654117-7 | INSULATING TERMINAL | 2 | PC. |
| D04 | | | 654199-9 | RECEPTACLE | 2 | PC. |
| D05 | | | 654562-6 | INSULATED CONNECTOR 35115 | 2 | PC. |

ACCESSORIES

- See Catalogue or visit www.makita.ca for more accessories -

| | | | | | | |
|-----|------|------|----------|----------------------------|---|-----|
| A01 | | | ----- | BATTERY CHARGER | | |
| A02 | | | ----- | 18V LI-ION BATTERY | | |
| A03 | 1 | | 141481-0 | PLASTIC CARRYING CASE | 1 | PC. |
| | 1 | INC. | 417383-5 | LATCH | 2 | PC. |
| A03 | 2 | | 821766-7 | PLASTIC CARRYING CASE | 1 | PC. |
| | 2 | INC. | 417383-5 | LATCH | 2 | PC. |
| A04 | | | ----- | LI-ION BATTERY ACCESSORIES | | |
| A05 | | | 126207-1 | FLEXIBLE ASSEMBLY F/2.6FT | 1 | PC. |
| | | INC. | | Item No. 9-20,22 | | |
| | Opt. | | 126206-3 | FLEXIBLE ASSEMBLY F/4.0FT | 1 | PC. |
| | Opt. | | 126208-9 | FLEXIBLE ASSEMBLY F/8.0FT | 1 | PC. |